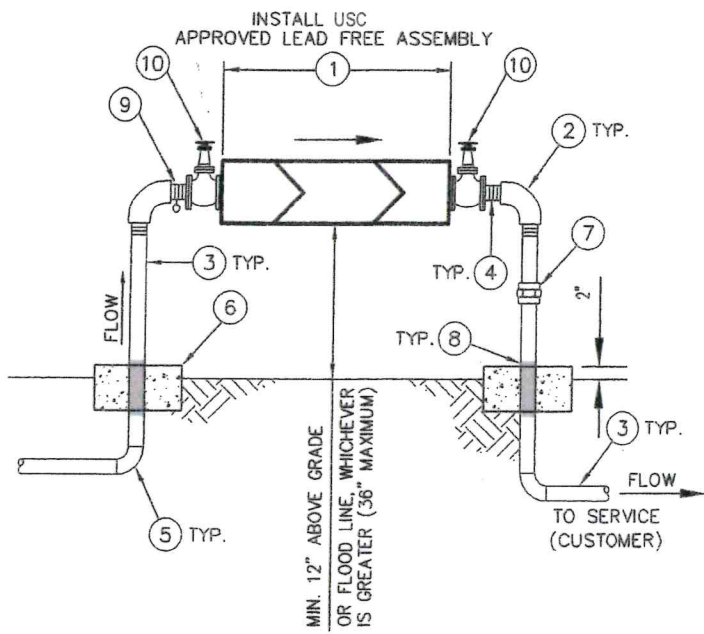




DETAIL A  
NTS


SEE STD. DTL. FOR  
WATER SERVICE AND  
METER



ITEM	QTY.	DESCRIPTION
1	1	USC APPROVED LEAD FREE ASSEMBLY
2	2	BRASS 90° BEND, THREADED
3	VAR	TYPE K COPPER TUBING, HARD TEMPERED WITH SLIP X THREADED ADAPTORS AS NECESSARY OR BRASS
4	2	THREADED BRASS NIPPLE
5	2	90° BEND, SOLDERED COPPER, THREADED BRASS, OR COMPRESSION BRASS
6	2	12" DIA. X 6" THICK CONCRETE COLLAR (OPTIONAL) OR PAD
7	1	BRASS UNION FITTING
8	VAR	PIPE WRAP TAPE (TO PREVENT CONTACT OF COPPER PIPE TO CONCRETE)
9	1	BRASS TAG WITH SERVICE ADDRESS AND TYPE OF SERVICE. SEE DETAIL A
10	2	ISOLATION GATE VALVE, FL X FL

**NOTES**

1. SEE LCW APPROVED MATERIALS LIST.
2. THE ASSEMBLY SHALL BE TESTED AND APPROVED BY A CERTIFIED TESTER PRIOR TO ACCEPTANCE BY LCW.
3. SIZE/DIAMETER OF ASSEMBLY AND PIPING AS REQUIRED BY LCW
4. PIPE SUPPORTS ARE RECOMMENDED BUT NOT REQUIRED.
5. ALL CUSTOMER CONNECTIONS SHALL BE DOWNSTREAM OF BACKFLOW PREVENTION ASSEMBLY INCLUDING PRESSURE REGULATORS.
6. CONCRETE SHALL HAVE A 28 DAY COMPRESSIVE STRENGTH OF 2,500 PSI.
7. BACKFLOW ASSEMBLY TO BE INSTALLED AS CLOSE AS PRACTICAL TO METER, WITHIN 2 FEET. DISTANCES GREATER THAN 2 FEET REQUIRES DISTRICT APPROVAL BEFORE INSTALLATION.
8. CUSTOMER'S REGISTERED ENGINEER SHALL SUBMIT ALTERNATIVE DESIGN IF FLOOD ZONE EXCEEDS 36".
9. USE RP IF RECYCLED WATER IS ON SITE.

<b>APPROVED:</b>   GENERAL MANAGER	LA CUMBRE MUTUAL WATER COMPANY	STD. DETAIL 5-01
	2" AND SMALLER BACKFLOW ASSEMBLY REDUCED PRESSURE	
11/5/21 DATE		